



SMD-3pads High Frequency Ceramic Resonator (ZTTCC & ZTTCS & ZTTCV Series)



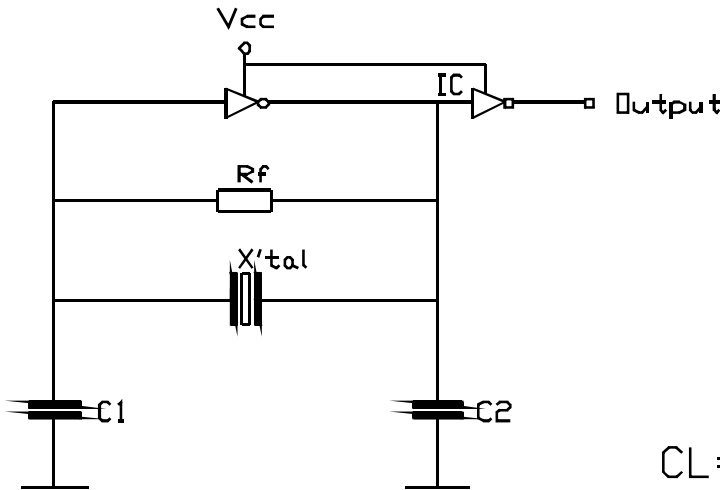
■ FEATURES:

- Low Profile True Surface Mountable.
- Can Be Re-flow Soldered.
- Available In Tape And Reel Packaging.

■ SPECIFICATION:

Frequency Range MHz	Frequency Tolerance @25°C±3°C	Frequency Stability@T ^{OPR}	Operating Temperature Range(T ^{OPR}) °C	Aging	Circuit Constants	
					C1(PF)	C2(PF)
2.00 to 8.00	±0.5%	±0.3%	-20 to +80	±0.3%	30	30
8.01 to 20.00	±0.5%	±0.4%	-20 to +80	±0.3%	30	30
20.01 to 25.99	±0.5%	±0.5%	-20 to +80	±0.3%	15	15
26.00 to 60.00	±0.5%	±0.5%	-20 to +80	±0.3%	5	5

■ OSCILLATION CIRCUITS AND LOAD CAPACITANCE(CL):



$$CL = \frac{C1C2}{C1+C2} + Ci \text{ PF}$$

Ci may varies from 2 to 6PF

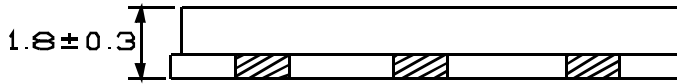
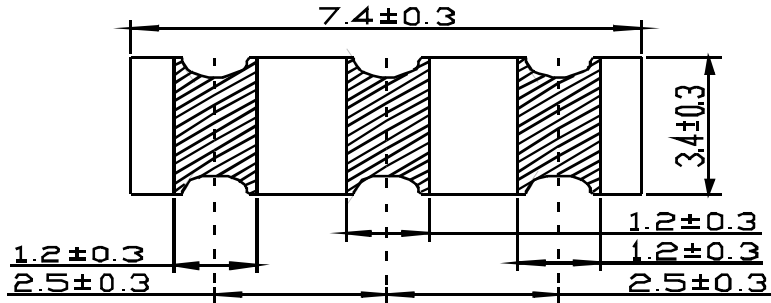
Type	ZTTCC	ZTTCS	ZTTCS	ZTTCV	ZTTCV
Frequency Range	2.00 to 8.00MHZ	6.00 to 13.00MHZ	13.01 to 60.00MHZ	8.00 to 13.00MHZ	13.01 to 60.00MHZ
IC	TC4069UBP	TC4069UBP	TC74HCU04	TC4069UBP	TC74HCU04
Vcc	+5V	+12V	+5V	+12V	+5V



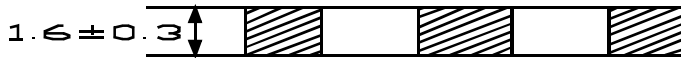
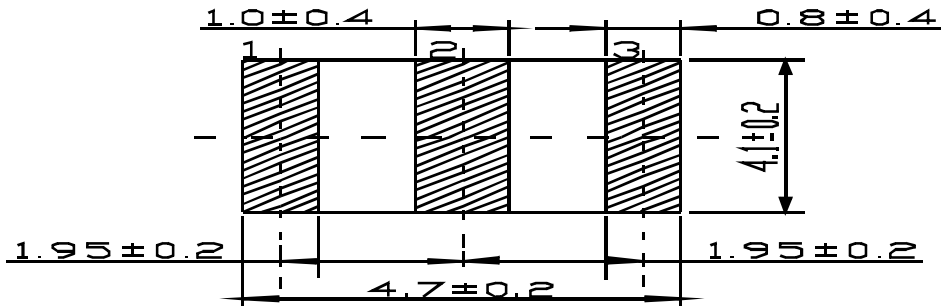


■ DIMENSIONS:

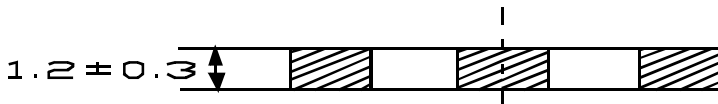
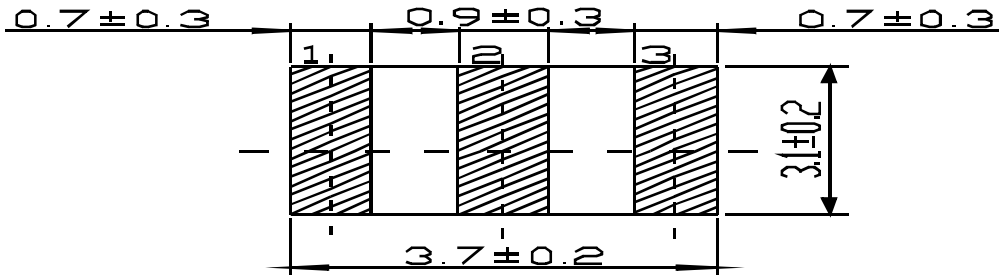
ZTTCC
2.00 to 8.00MHz



ZTTCS
6.00 to 60.00MHz



ZTTCV
8.00 to 60.00MHz



Unit:mm

