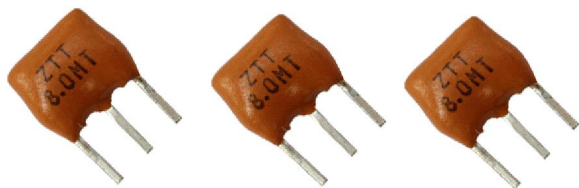




High Frequency 3 Pin Ceramic Resonator (ZTT Series)



■ FEATURES:

- Low Cost
- Built-in Capacitor
- High Stability
- Wide Frequency Range
- Small Compact Size

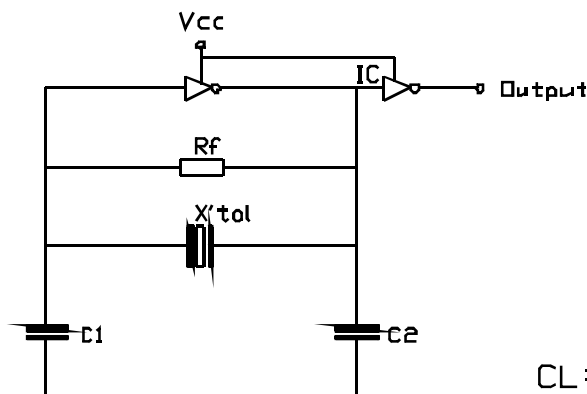
■ SPECIFICATION:

Frequency Range MHz	Frequency Tolerance @25°C±3°C	Frequency Stability@T _{OPR}	Operating Temperature Range(T _{OPR}) °C	Equivalency Resistance	Circuit Constants	
					C1(PF)	C2(PF)
1.80 to 20.00	±0.5%、±0.3%	±0.3%	-20 to +80	See Table NO.1	22	22
20.01 to 25.99	±0.5%、±0.3%	±0.5%	-20 to +80		15	15
26.00 to 50.00	±0.5%、±0.3%	±0.5%	-20 to +80		5	5

■ Table NO.1 : Equivalent Series Resistance(ESR) :

Type	Frequency Range(MHz)	ESR(Ω)	Type	Frequency Range(MHz)	ESR(Ω)
ZTT□□□ MG	1.80 to 2.99	80	ZTT□□□ MT	6.00 to 12.99	25
ZTT□□□ MG	3.00 to 3.49	50	ZTT□□□ MX	13.00 to 50.00	55
ZTT□□□ MG	3.50 to 5.99	30			

■ OSCILLATION CIRCUITS AND LOAD CAPACITANCE(CL):



$$CL = \frac{C1C2}{C1+C2} + C1 \text{ PF}$$

Ci may varies from 2 to 6PF

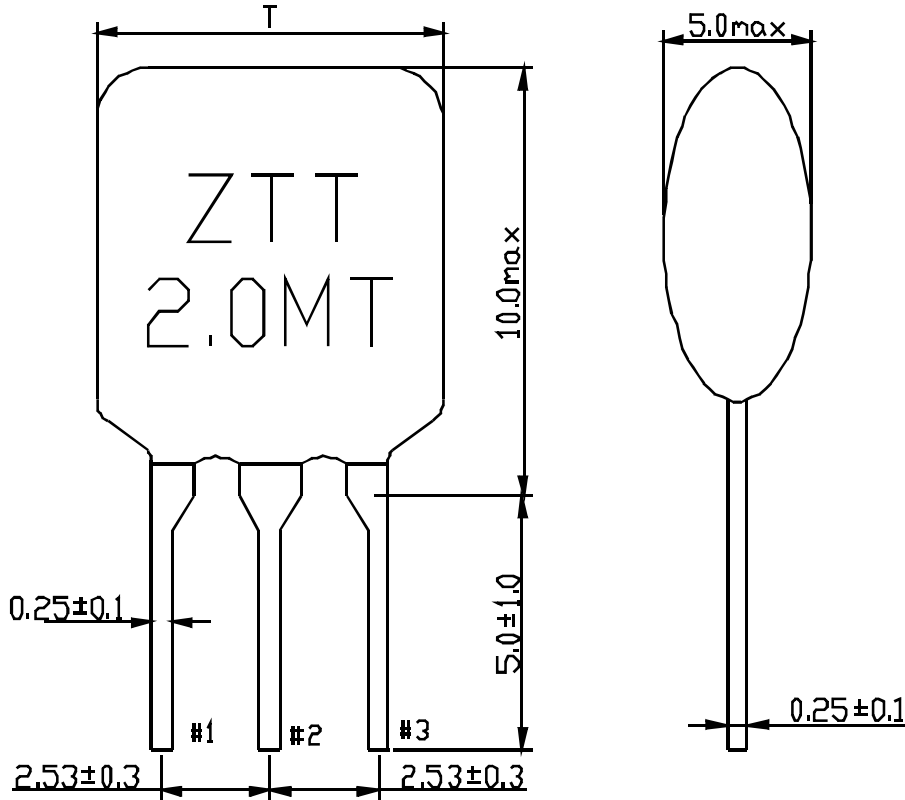
Type	ZTT□□□ MG	ZTT□□□ MT	ZTT□□□ MX
Frequency Range	1.80 to 5.99MHZ	6.00 to 12.99MHZ	13.00 to 60.00MHZ
IC	TC4069UBP	TC4069UBP	TC74HCU04
Vcc	+5V	+5V	+5V





High Frequency 3 Pin Ceramic Resonator (ZTT Series)

■ DIMENSIONS:



PIN	FUNCTION
#1	INPUT
#2	GND
#3	OUTPUT

MG:T=8.0max
 MT:T=10.0max
 MX:12.00MHZ~13.00MHZ:T=12.0max
 13.01MHZ~60.00MHZ:T=10.max

Unit: mm

