



SMD-2pads High Frequency Ceramic Resonator (ZTACC & ZTACS & ZTACV Series)



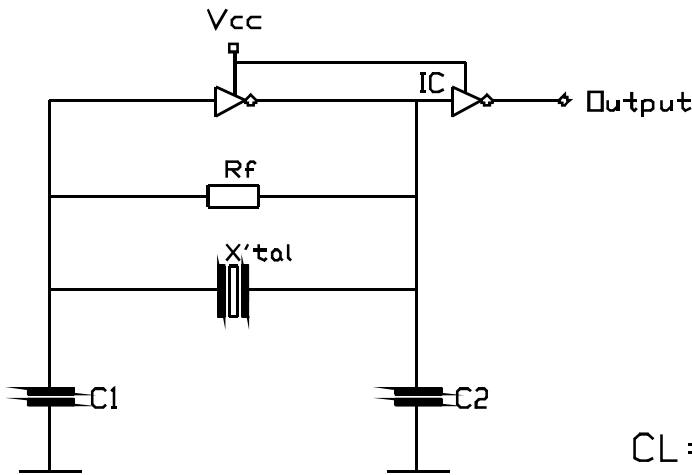
■ FEATURES:

- Low Profile True Surface Mountable.
- Can Be Re-flow Soldered.
- Available In Tape And Reel Packaging.

■ SPECIFICATION:

Frequency Range MHz	Frequency Tolerance @25°C±3°C	Frequency Stability@TOPR	Operating Temperature Range(TOPR) °C	Aging	Circuit Constants	
					C1(PF)	C2 (PF)
2.00 to 8.00	±0.5%	±0.3%	-20 to +80	±0.3%	30	30
8.01 to 20.00	±0.5%	±0.4%	-20 to +80	±0.3%	30	30
20.01 to 25.99	±0.5%	±0.5%	-20 to +80	±0.3%	15	15
26.00 to 60.00	±0.5%	±0.5%	-20 to +80	±0.3%	5	5

■ OSCILLATION CIRCUITS AND LOAD CAPACITANCE(CL):



$$CL = \frac{C1C2}{C1+C2} + Ci \text{ PF}$$

Ci may varies from 2 to 6PF

Type	ZTACC	ZTACS	ZTACS	ZTACV	ZTACV
Frequency Range	2.00 to 8.00MHZ	6.00 to 13.00MHZ	13.01 to 60.00MHZ	8.00 to 13.00MHZ	13.01 to 60.00MHZ
IC	TC4069UBP	TC4069UBP	TC74HCU04	TC4069UBP	TC74HCU04
Vcc	+5V	+12V	+5V	+12V	+5V





SMD-2pads High Frequency Ceramic Resonator (ZTACC & ZTACS & ZTACV Series)

■ DIMENSIONS:

