



High Frequency 2 Pin Ceramic Resonator (ZTA Series)



■ FEATURES:

- Low Cost
- Built-in Capacitor
- High Stability
- Wide Frequency Range
- Small Compact Size

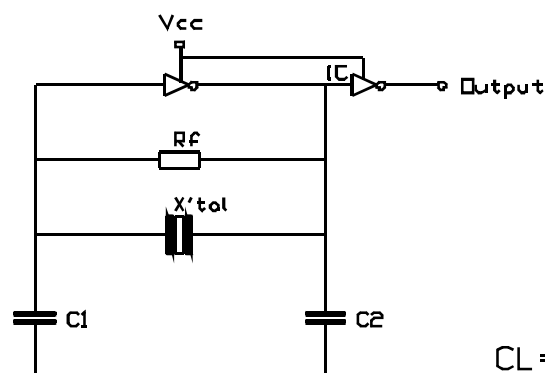
■ SPECIFICATION:

Frequency Range MHz	Frequency Tolerance @25°C±3°C	Frequency Stability@TOPR	Operating Temperature Range(TOPR) °C	Equivalency Resistance	Aging	Circuit Constants	
						C1(PF)	C2(PF)
1.80 to 20.00	±0.5%、±0.3%	±0.3%	-20 to +80	Table No.1	±0.3%	30	30
20.01 to 25.99	±0.5%、±0.3%	±0.5%	-20 to +80		±0.3%	15	15
26.00 to 60.00	±0.5%、±0.3%	±0.5%	-20 to +80		±0.3%	5	5

■ Table NO.1 : Equivalent Series Resistance(ESR) :

Type	Frequency Range(MHz)	ESR(Ω)	Type	Frequency Range(MHz)	ESR(Ω)
ZTA□□□MG	1.80 to 2.99	80	ZTA□□□MT	6.00 to 11.99	25
ZTA□□□MG	3.00 to 3.49	50	ZTA□□□MX	12.00 to 60.00	55
ZTA□□□MG	3.50 to 5.99	30			

■ OSCILLATION CIRCUITS AND LOAD CAPACITANCE(CL):



$$CL = \frac{C1C2}{C1+C2} + C_i \text{ PF}$$

C_i may varies from 2 to 6PF

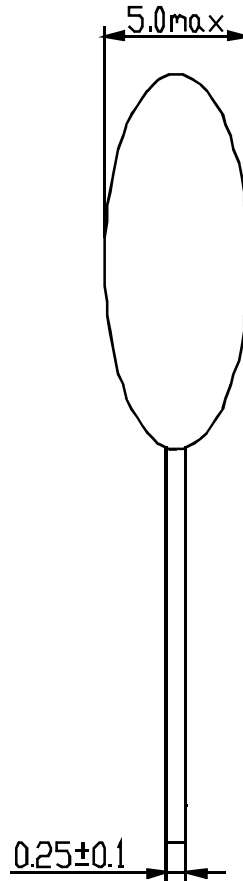
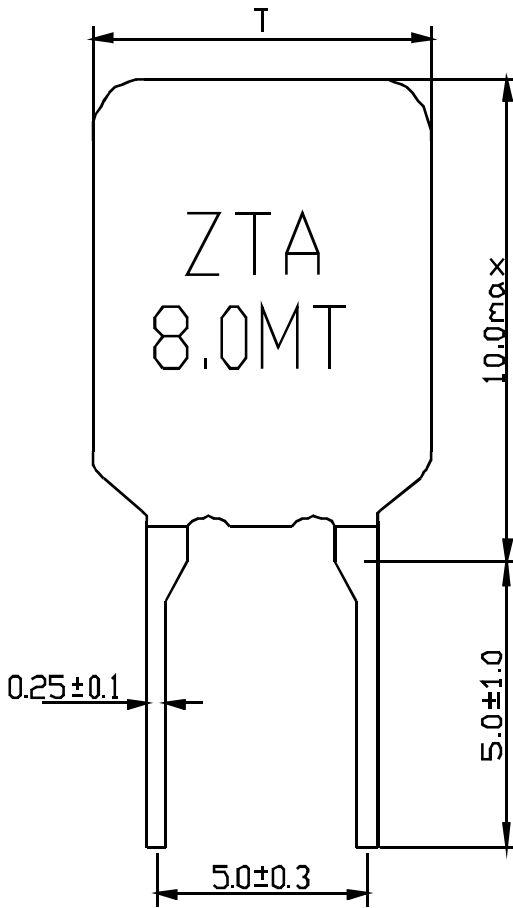
Type	ZTA□□□MG	ZTA□□□MT	ZTA□□□MX
Frequency Range	1.80 to 5.99MHZ	6.00 to 11.99MHZ	12.00 to 60.00MHZ
IC	TC4069UBP	TC4069UBP	TC74HC04
Vcc	+5V	+12V	+5V





High Frequency 2 Pin Ceramic Resonator (ZTA Series)

■ DIMENSIONS:



MG: T=7.5max
MT: T=10.0MAX
MX: 12.00MHz~23.99MHz: T=10.0max
24.00MHz~31.99MHz: T=7.5max
32.00MHz~60.00MHz: T=6.5max

Unit mm

