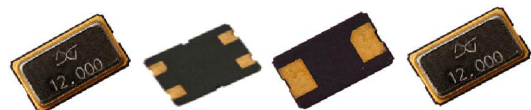




**FEATURES:**

- Compact and thin(5.0×3.2 mm typ.)
- Prepared frequencies can meet most of bluetooth chipsets
- Excellent heat resistance and shock resistance
- Products that are lead-free These can meet the requirement of re-flow profiling using lead-free solder



**SPECIFICATION:**

|                                     |                        |                      |
|-------------------------------------|------------------------|----------------------|
| Type                                | SMD5032&SMD5032A       |                      |
| Frequency Range(F0)                 | 8.00 to 48.00MHz       | 48.01 to 120.00MHz   |
| Vibration Mode                      | AT cut,Fundamental     | AT cut, 3rd overtone |
| Equivalent Series Resistance(Rs)    | See Table NO. 1        |                      |
| Frequency Tolerance@ 25±3 °C(ΔF/F0) | ±5 ~ ±50 PPM           |                      |
| Frequency Stability@TOPR (TC)       | See Table NO. 2        |                      |
| Shunt Capacitance(C0)               | 7.0PF Max              |                      |
| Load Capacitance(CL)                | 8.0 ~ 30.0PF or series |                      |
| Insulation Resistance(IR)           | > 500MΩ at DC 100V±15V |                      |
| Drive Level(DL)                     | 10.0 ~ 300.0μW         |                      |
| Aging(Fa)                           | ±2 ~ ±5PPM /Year       |                      |

● Table NO.1: Equivalent Series Resistance(ESR) and Vibration Mode:

| Frequency Range(MHz) | Vibration Mode | ESR(Ω) | Frequency Range(MHz) | Vibration Mode  | ESR(Ω) |
|----------------------|----------------|--------|----------------------|-----------------|--------|
| 10.00 to 19.99       | AT Fundamental | 80     | 30.00 to 48.00       | AT Fundamental  | 50     |
| 20.00 to 29.99       | AT Fundamental | 70     | 48.01 to 120.00      | AT 3rd overtone | 70     |

● Table NO.2: Frequency Stability Over Operating Temperature Range:

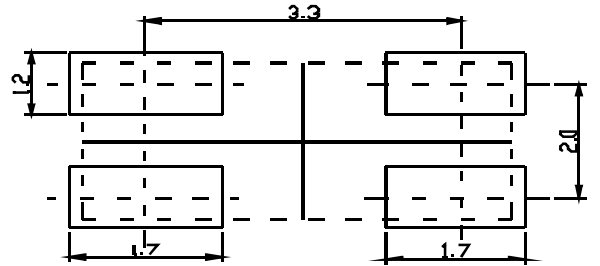
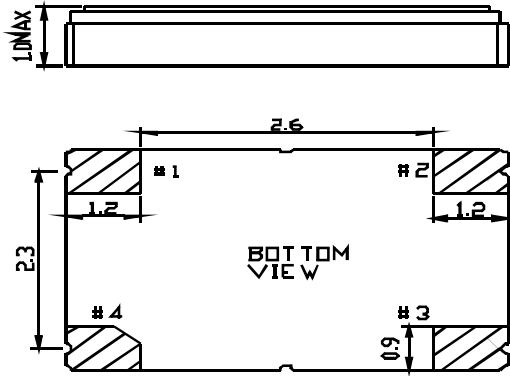
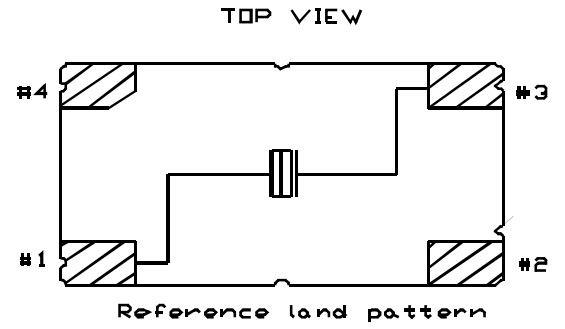
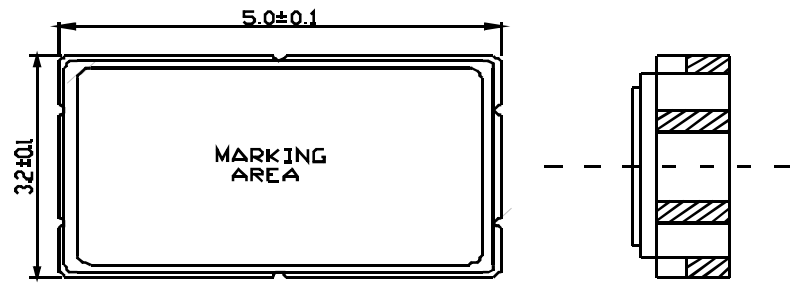
| Operating Temperature Range(TOPR) | Frequency Stability |       |        |        |        |        |        |
|-----------------------------------|---------------------|-------|--------|--------|--------|--------|--------|
|                                   | ±2.5PPM             | ±5PPM | ±10PPM | ±15PPM | ±20PPM | ±30PPM | ±50PPM |
| 0 to +50 °C                       | ★                   | ★     | ★      | ★      | ★      | ★      | ★      |
| -10 to +60 °C                     |                     | ★     | ★      | ★      | ★      | ★      | ★      |
| -20 to +70 °C                     |                     |       | ★      | ★      | ★      | ★      | ★      |
| -30 to +85 °C                     |                     |       |        |        | ★      | ★      | ★      |
| -40 to +90 °C                     |                     |       |        |        |        | ★      | ★      |



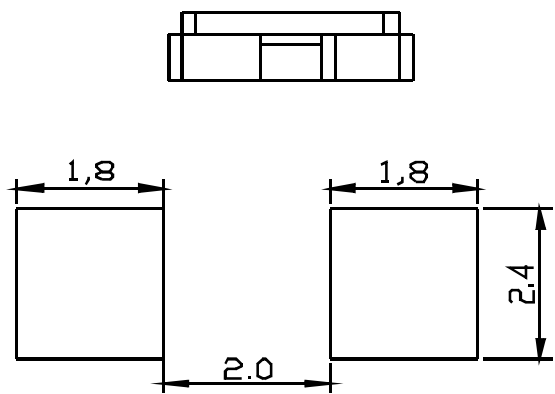
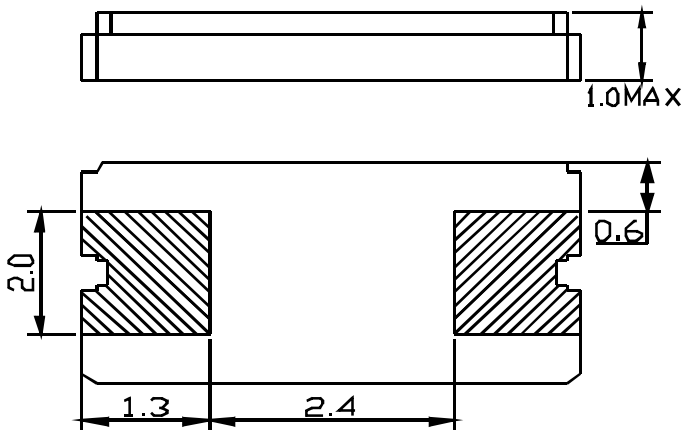
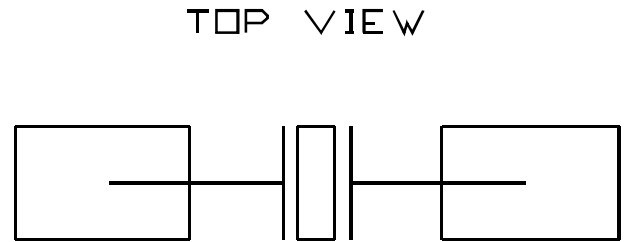


SMD5032&SMD5032A Quartz Crystal Units

■ DIMENSIONS:



Unit: mm 5032

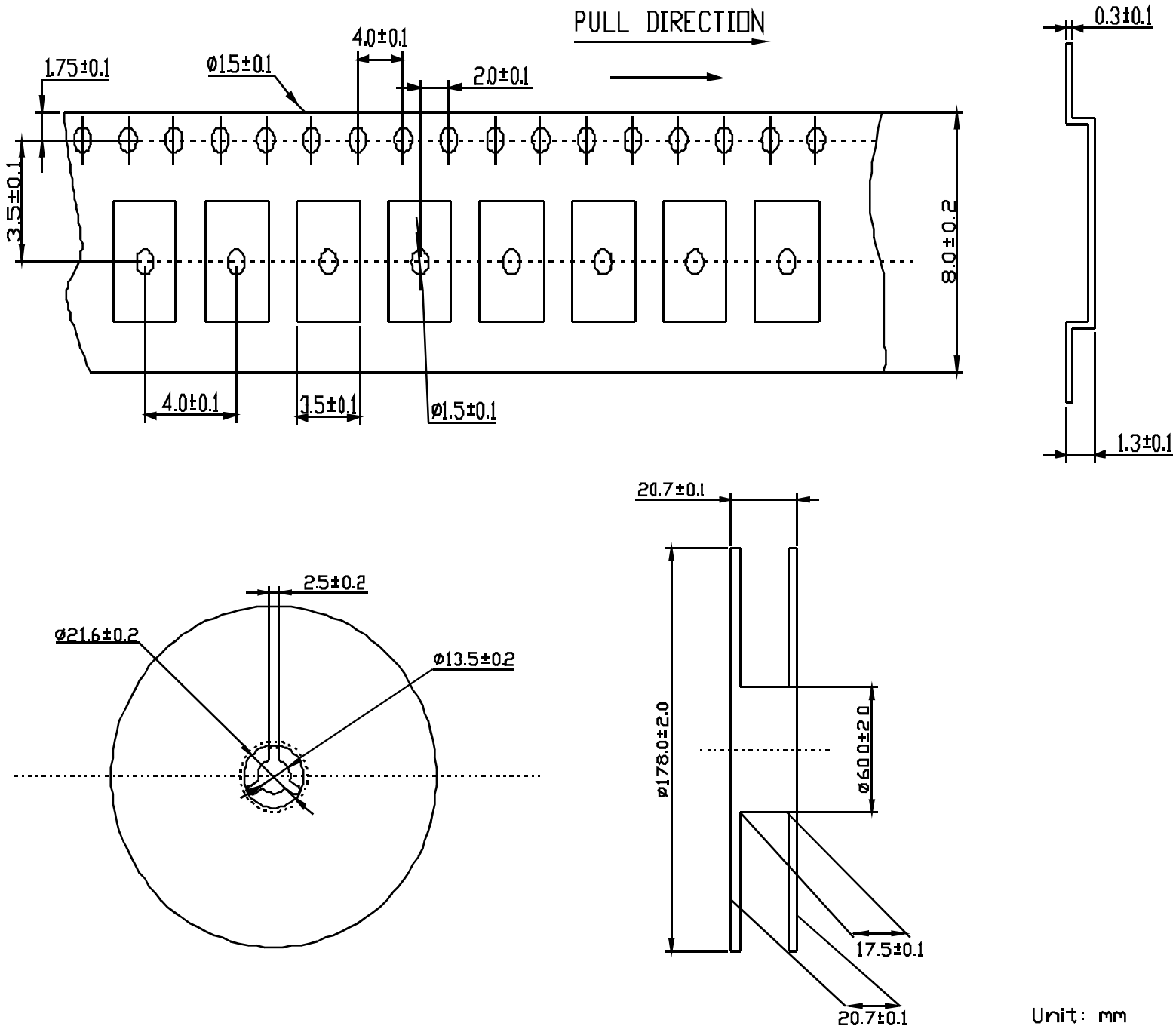


Unit: mm  
5032A





TAPING AND REEL:



Unit: mm

