



SMD3225 Quartz Crystal Units

■ FEATURES:

- Compact and thin(3.2×2.5 mm typ.)
- Frequency range of 12MHz to 54MHz with FUND
- Excellent electrical performance for OA and AV applications
- Excellent heat resistance and shock resistance



■ SPECIFICATION:

Type	SMD3225
Frequency Range(F0)	12.00 to 54.00MHz
Vibration Mode	AT cut,Fundamental
Equivalent Series Resistance(Rs)	See Table NO. 1
Frequency Tolerance@ 25±3 °C(ΔF/F0)	±5 ~ ±50 PPM
Frequency Stability@TOPR (TC)	See Table NO. 2
Shunt Capacitance(C0)	7.0PF Max
Load Capacitance(CL)	8.0 ~ 20.0PF or series
Insulation Resistance(IR)	> 500MΩ at DC 100V±15V
Drive Level(DL)	10.0 ~ 300.0μW
Aging(Fa)	±2 ~ ±5 PPM /Year

● Table NO.1 : Equivalent Series Resistance(ESR) and Vibration Mode:

Frequency Range(MHz)	Vibration Mode	ESR(Ω)	Frequency Range(MHz)	Vibration Mode	ESR(Ω)
12.00 to 19.99	AT Fundamental	80	26.00 to 54.00	AT Fundamental	50
20.00 to 25.99	AT Fundamental	70			

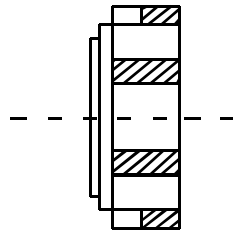
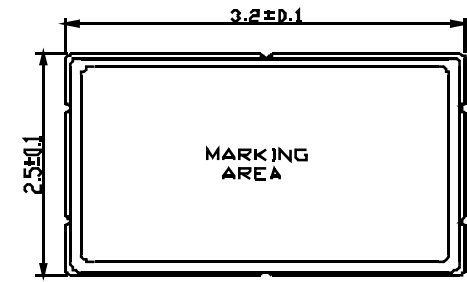
● Table NO.2: Frequency Stability Over Operating Temperature Range:

Operating Temperature Range(TOPR)	Frequency Stability						
	±2.5PPM	±5PPM	±10PPM	±15PPM	±20PPM	±30PPM	±50PPM
0 to +50 °C	★	★	★	★	★	★	★
-10 to +60 °C		★	★	★	★	★	★
-20 to +70 °C			★	★	★	★	★
-30 to +85 °C					★	★	★
-40 to +90 °C						★	★

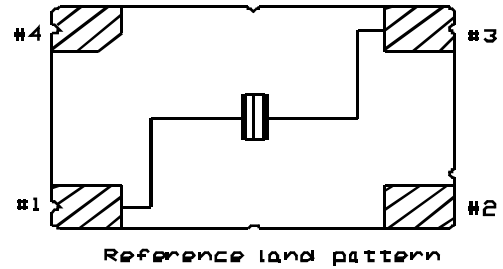




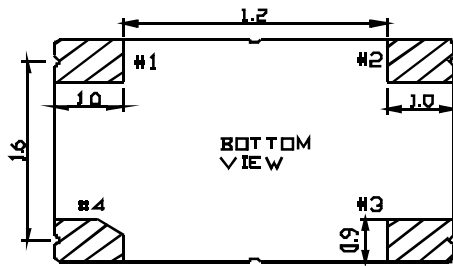
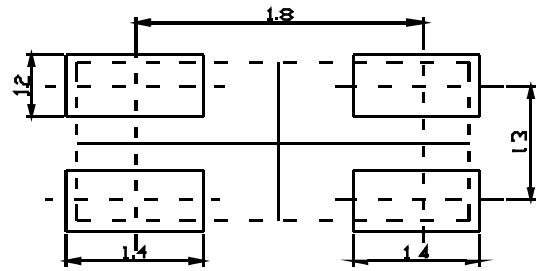
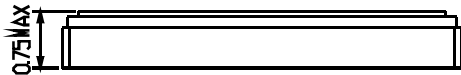
■ DIMENSIONS:



TOP VIEW

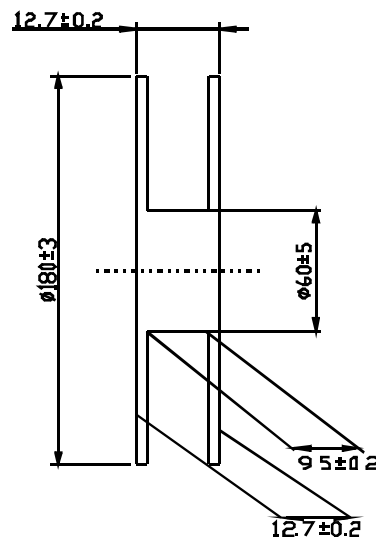
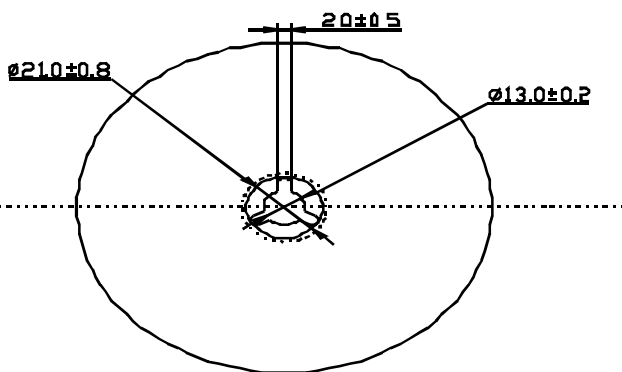
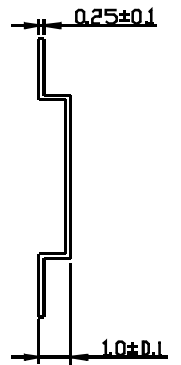
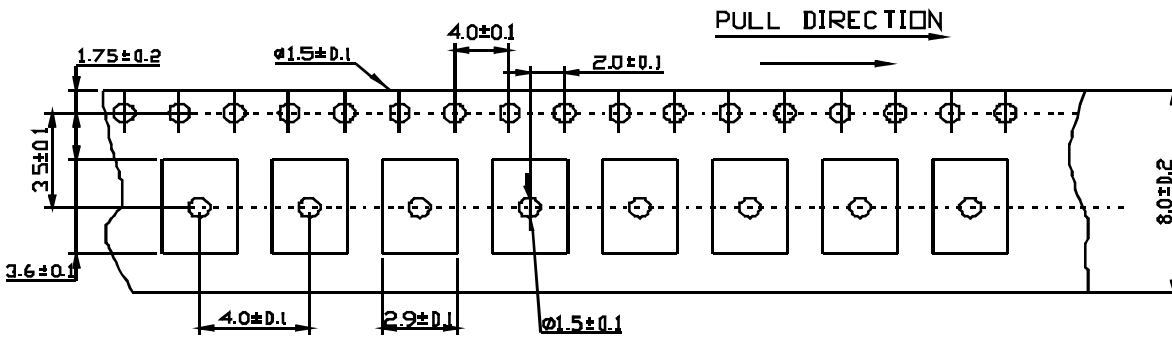


Reference land pattern



Unit: mm

■ TAPPING AND DEPTH



Unit: mm

